

230_{VAC}400_{VAC}

ENCODER



64

BULL20M

BULL20 HE

BULL20T

COMMERCIAL | INDUSTRIAL USE

control unit with built-in encoder and receiver
personalised release key
BULL20HE: self-ventilated with oil lubricated reductions
BULL20T: self-ventilated without control unit

up to 2000 kg

Irreversible electromechanical gear motor available available in 230 Vac single-phase (BULL20M), 400 Vac three-phase (BULL20T) or 230 Vac single-phase with oil lubricated reductions for very intensive use (BULL20 HE). Steel anti-vandal protective cover (optional).

230 Vac

- 230 Vac gear motor with integrated control unit and encoder
- The encoder device ensures crush prevention and precision in the gate moving phases
- Version with magnetic limit switches available (BULL20M.S, BULL20T.S, BULL20HE.S)

400 Vac

- 400 Vac three-phase gear motor with external control unit and electric brake
- Self-ventilated for very intense use

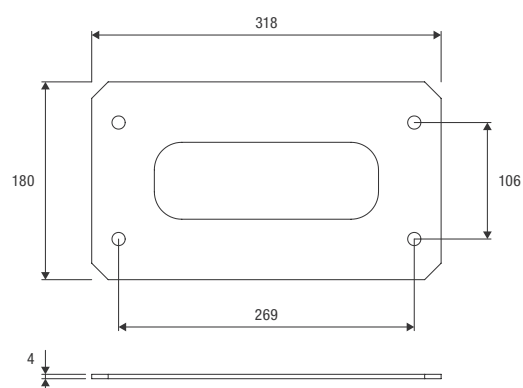
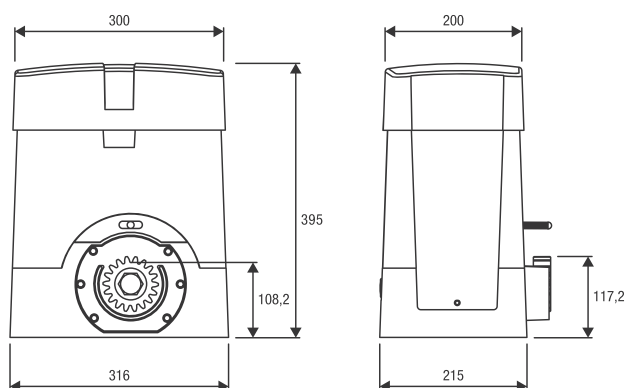


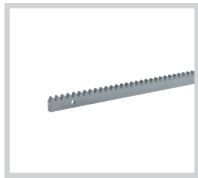
CONTROL UNITS:

BULL20M	——	CP.BULL-RI
BULL20M.S	——	CP.BULL-RI
BULL20 HE	——	CP.BULL20-HE
BULL20 HE.S	——	CP.BULL20-HE
BULL20T	——	THINKY START



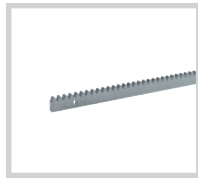
Foundation plate with anchor bolts included.
Motor and floor fixing distance 269x106 mm, no. 4 Ø 12 mm.





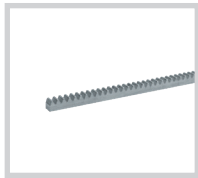
RI.M4F

M4 rack, to weld or attach with screws, 30x12x1000 mm slotted and galvanised. Supplied with M6 screws and threaded spacers. **Package of 4 pcs.**



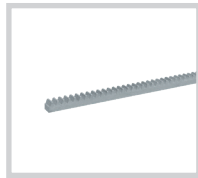
RI.M4F2

M4 rack, to weld or attach with screws, 30x12x2000 mm slotted and galvanised. Supplied with M6 screws and threaded spacers. **Package of 1 pc.**



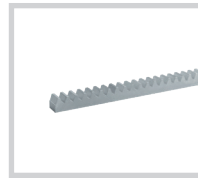
RI.M4Z

M4 galvanised rack to weld 22x22x2000 mm. **Package of 1 pc.**



RI.M4ZF

Galvanised slotted M4 rack 22x22x2010 mm for fastening to the side with the teeth. Supplied with M6 screws. **Package of 1 pc.**



RI.M6Z

M6 galvanised rack to weld 30x30x2000 mm. Requires pinion RI.P6. **Package of 1 pc.**



RI.P6

M6 gear, it needs the rack RI.M6Z.



BULL.PI

Raised foundation plate. Height 32 mm. Floor fixing distance 280x170 mm, no. 4 Ø 11 mm. External dimensions 335x220 mm.



BULL.CA

Anti-vandal casing. Only for models with spring-loaded limit switches.



RF.SUN

Battery-operated device recharged by means of a photovoltaic panel applied on a mobile edge.



RF

Device with a non rechargeable battery, with guaranteed duration 2 years.



SC.RF

Device powered at 12/24 Vdc with self-test function and 2 outputs for connection to the electronic control units.

AUTOMATISMI BENINCÀ SpA • Via del Capitello, 45 • 36066 Sandrigo (VI) ITALY • T +39 0444 751030 • sales@beninca.com

TECHNICAL DATA	BULL20M*	BULL20M.S*	BULL20 HE*	BULL20 HE.S*	BULL20T
Power supply	230 Vac (50-60Hz)	230 Vac (50-60Hz)	230 Vac (50-60Hz)	230 Vac (50-60Hz)	---
Motor supply	230 Vac	230 Vac	230 Vac	230 Vac	≈ 400 Vac (50-60Hz)
Max absorbed current	2.9 A	2.9 A	3 A	3 A	1.7 A
Max Thrust	1667 N	1667 N	1100 N	1100 N	2000 N
Opening speed	10.5 m/min	10.5 m/min	10.5 m/min	10.5 m/min	10.5 m/min
Duty cycle	40%	40%	80%**	80%**	intensive use
Protection level	IP44	IP44	IP44	IP44	IP44
Built-in control unit	YES	YES	YES	YES	NO
Magnetic limit switches	NO	YES	NO	YES	NO
Operating temperature	-20°C /+50°C	-20°C /+50°C	-20°C /+50°C	-20°C /+50°C	-20°C /+50°C
Lubrication	GREASE	GREASE	OIL	OIL	GREASE
Max gate weight	2000 kg	2000 kg	2000 kg	2000 kg	2000 kg
Driving gear for rack	M4 Z18	M4 Z18	M4 Z18	M4 Z18	M4 Z18
Weight	21.1 kg	21.3 kg	21.4 kg	21.4 kg	21.3 kg
Items no. per pallet	20	20	20	20	20

* Available in 115 VAC version | ** In extreme operating conditions (environment T 50°C, gate weight 2000 kg) the cycle falls to 60%